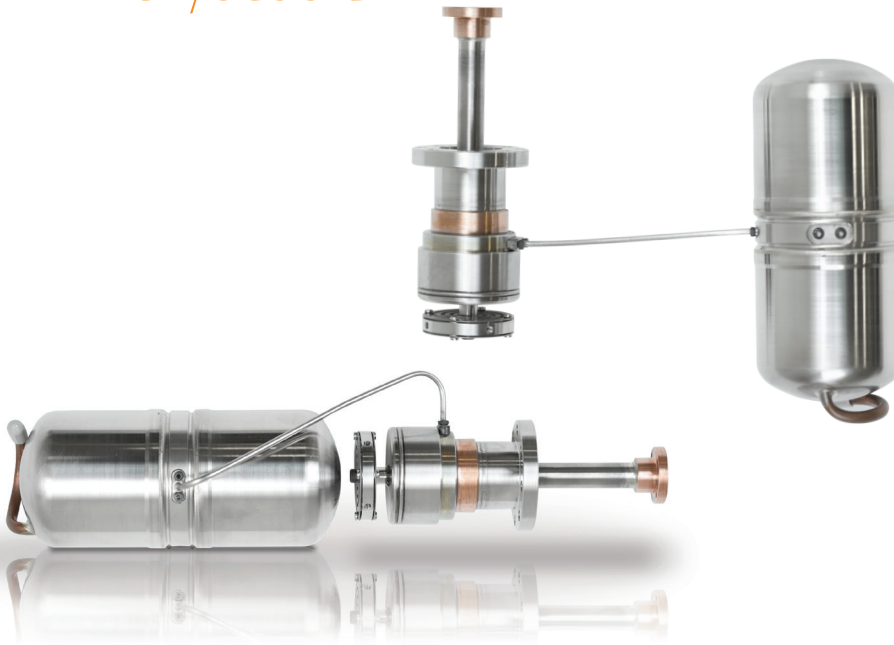


CryoTel® DS 2.4

2.4W Cryocooler

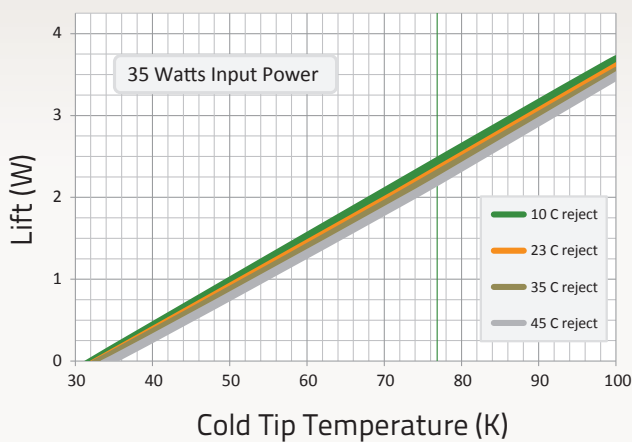


▶ THE MOST EFFICIENT CRYOCOOLERS
COMMERCIALY AVAILABLE

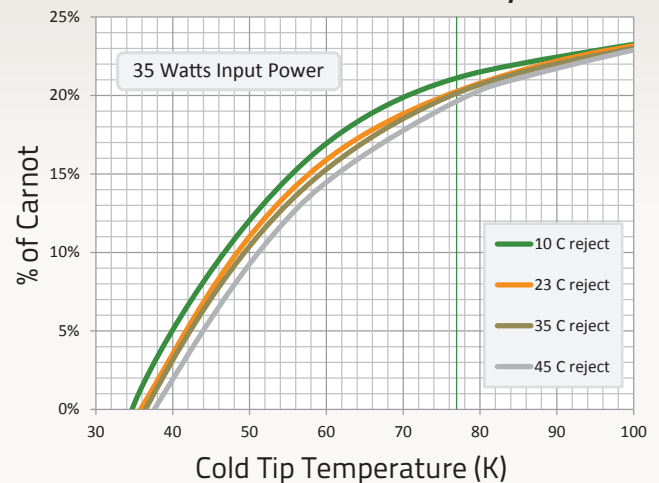
Nominal Lift @ 77K (23° C reject)	2.4 W
Nominal Input	35 W
Cooler Mass	1.3 kg total
Temperature Stability	+ 0.1K
Power Supply	DC 24V
Overall Length	Cold Head: 128 mm Wave Generator: 116 mm
Outside Diameter	Cold Head: 39 mm Wave Generator: 60 mm
Ambient Operation	-40°C to 60°C
Orientation	any
Operating Frequency	60 Hz
MTTF	120,000 hrs estimated

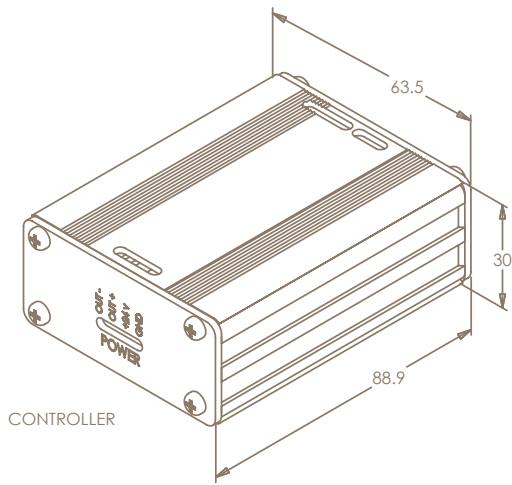
The DS 2.4 cryocooler brings gas bearing technology to the micro-cryocooler market. The DS (Dual Split) features a dual-opposed pressure wave generator pistons and a split cold head to minimize exported vibration and acoustic noise. The optional passive balancer will further reduce cold head vibration for sensitive applications. Both the cold head and wave generator can be mounted in any orientation. Using gas bearings in the pistons as well as the displacer, the DS is able to offer improved reliability over flexure bearing technology. The DS 2.4 was designed to provide high heat lift with excellent temperature stability in an efficient manner over the lifetime of the product. With the DS 2.4 you can achieve maximum performance and reliability. The DS 2.4 is currently in development with a planned 2014 production release.

Nominal Performance



Percent of Carnot Efficiency





Base DS 2.4 Cryocooler Dimensions

